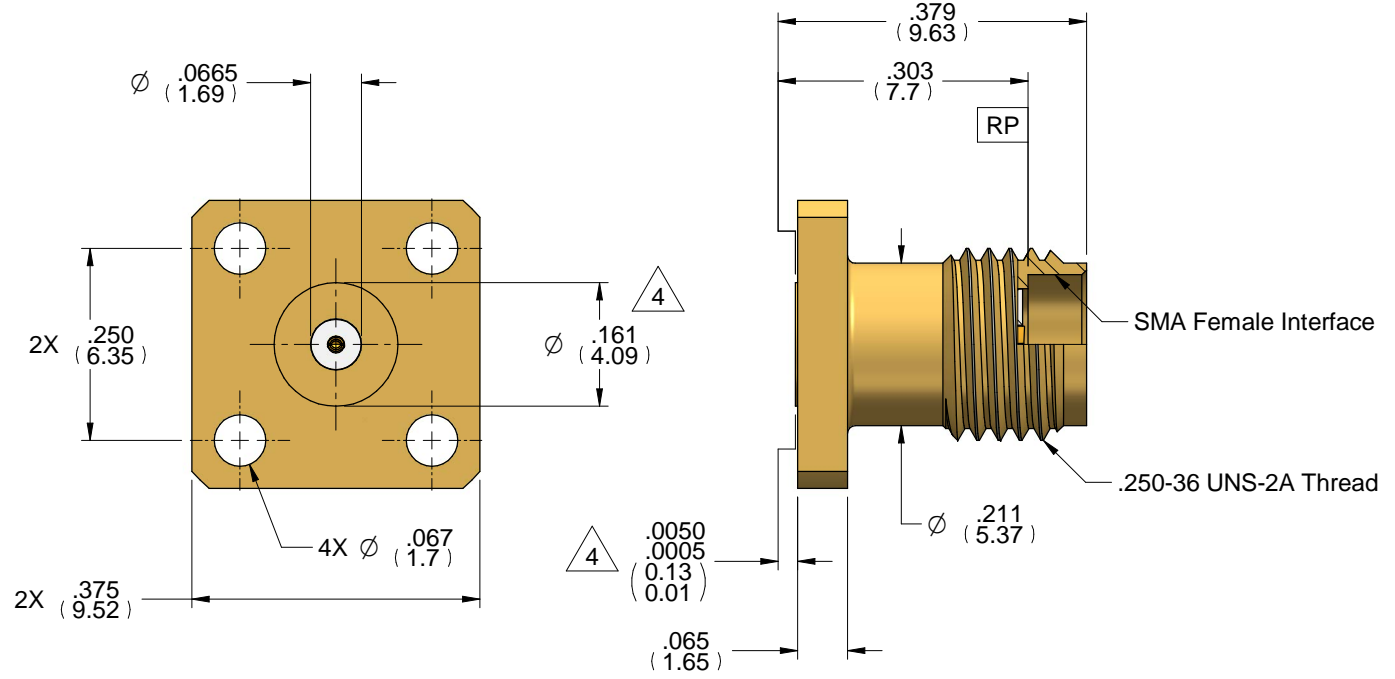
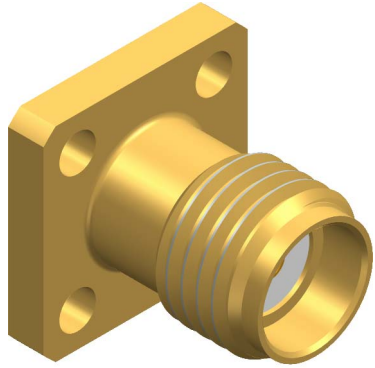




# FRF27-005NM-12

## SMA, .375 SQ 4 Hole Flange, 12mil, Female, Non Magnetic



Notes (Unless Otherwise Specified):

1. All dimensions are in inches.
2. All angles are in degrees.
3. Dimensions in [xxx] are in millimeters.

4. 360° Metal Grounding Ring

MATERIAL TABLE	
ITEM	MATERIAL
Housing	Phosphor Bronze UNS 54400 per ASTM B139, Gold Plated per MIL-DTL-45204, Without Nickel Underplate
Dielectric	Virgin PTFE Fluorocarbon Per ASTM D1710, Type 1, Grade1, Class B
Dielectric	Ultem 1000 Per ASTM D5205
Center Conductor	BeCu Alloy UNS C17300 Cond. TH04 per ASTM B196, Gold Plated per MIL-DTL-45204, Without Nickel Underplate

APPROVAL	DATE	DWG NO	REV
EG	06/20/23	FRF27-005NM-12	A
FILE NAME: FRF27-005NM-12 Outline.dft			SHEET 1 OF 1