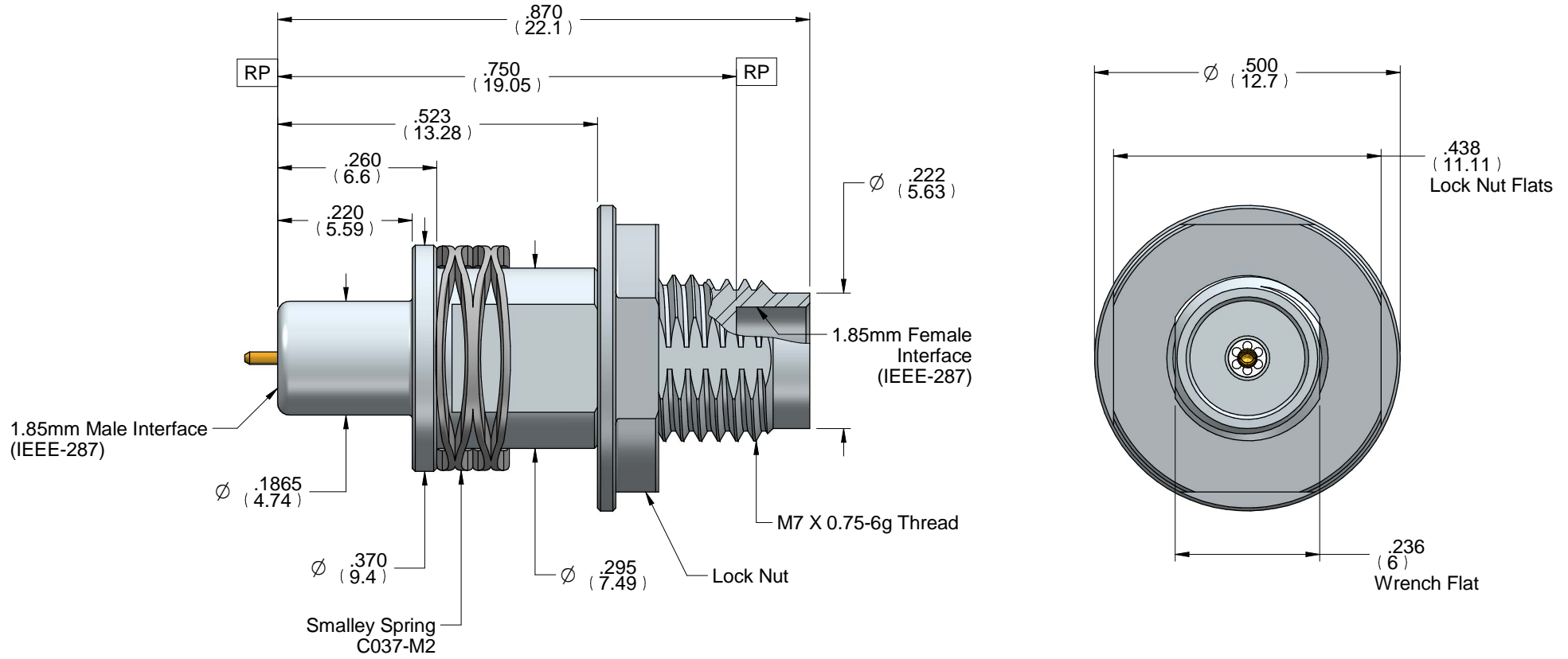




AM70F70-2001K

1.85mm Male to Female Push-on Adapter Kit



Notes (Unless Otherwise Specified):

1. All dimensions are in inches.
2. All angles are in degrees.
3. Dimensions in [xxx] are in millimeters.

MATERIAL TABLE	
ITEM	MATERIAL
Housing	303 Stainless Steel, Steel Cres Alloy UNS S30300 per ASTM A582
Lock Nut	303 Stainless Steel, Steel Cres Alloy UNS S30300 per ASTM A582
Dielectric	Neoflon per ASTM D1430
Center Conductor	BeCu Alloy UNS C17300 Cond. TH04 per ASTM B196, Gold Plated per MIL-DTL-45204

APPROVAL	DATE	DWG NO	REV
BR	07/29/23	AM70F70-2001K	A
FILE NAME: AM70F70-2001K Outline.dft			SHEET 1 OF 1