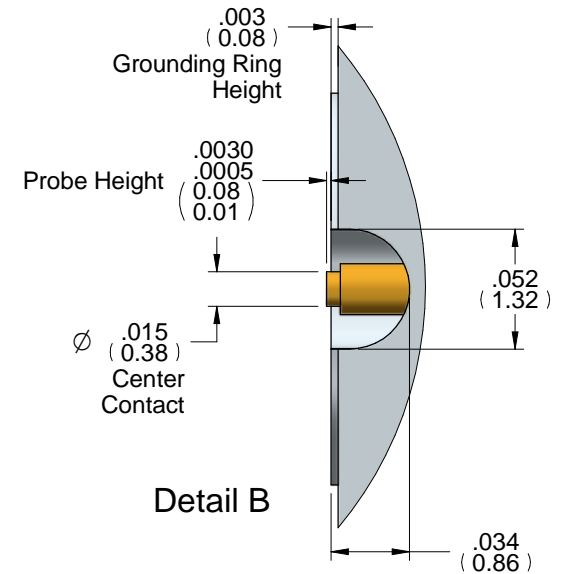
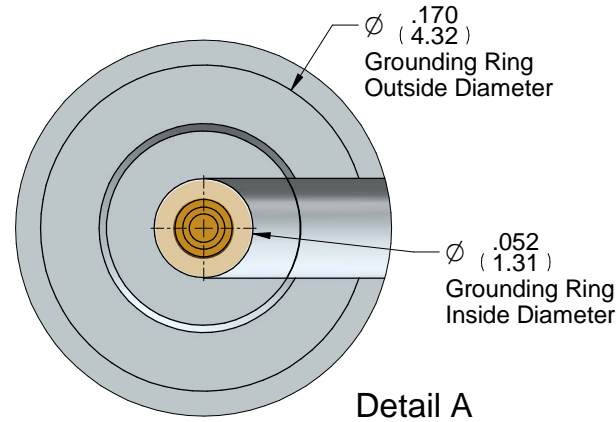
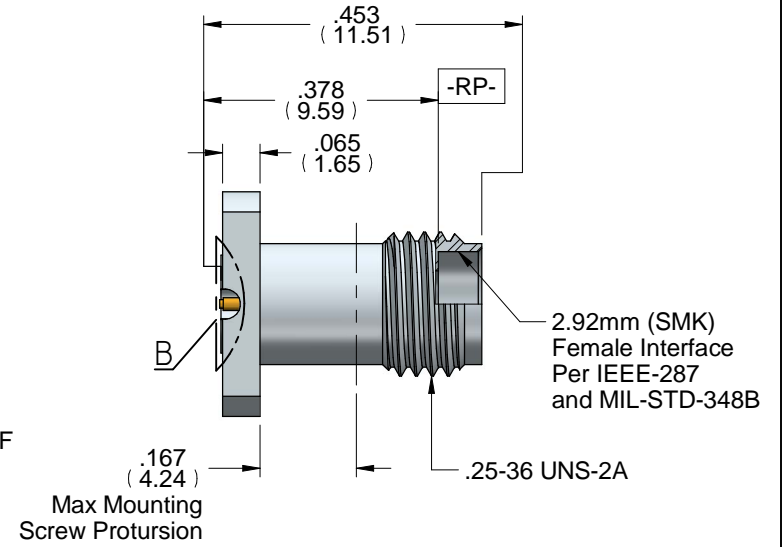
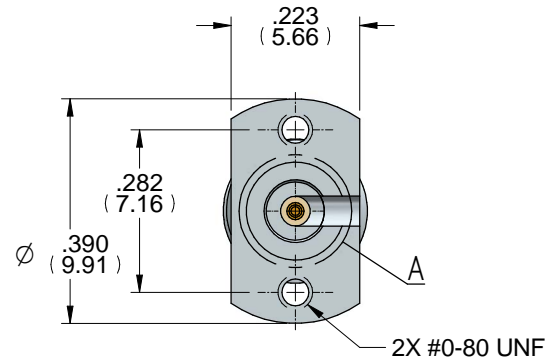
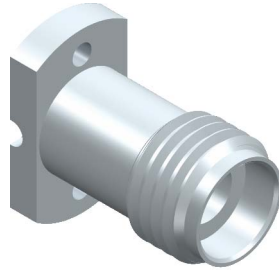




# TLF40-001 2.92mm Top Launch



MATERIAL TABLE	
ITEM	MATERIAL
Housing	303 Stainless Steel, Steel Cres Alloy UNS S30300 per ASTM A582, Passivated Per AMS2700 Method1 Type 2
Dielectric	Neoflon Per ASTM D1430
Center Conductor	BeCu Alloy UNS C17300 Cond. TH04 per ASTM B196, Gold Plated per MIL-DLT-45204

Notes (Unless Otherwise Specified):

1. All Dimensions are in Inches.
2. All Angles are in Degrees.
3. All Dimensions in (XXX) are in Millimeters.

APPROVAL	DATE	DWG NO	REV
BR	09/04/20	TLF40-001	C
FILE NAME: TLF40-001 Outline.dwt			SHEET 1 OF 1