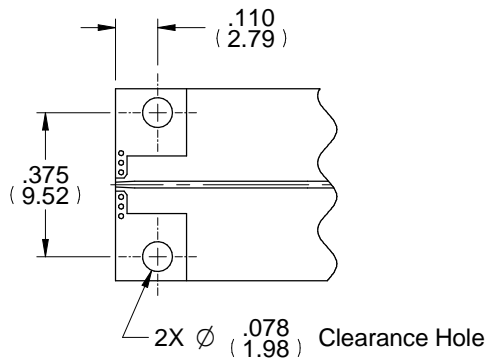
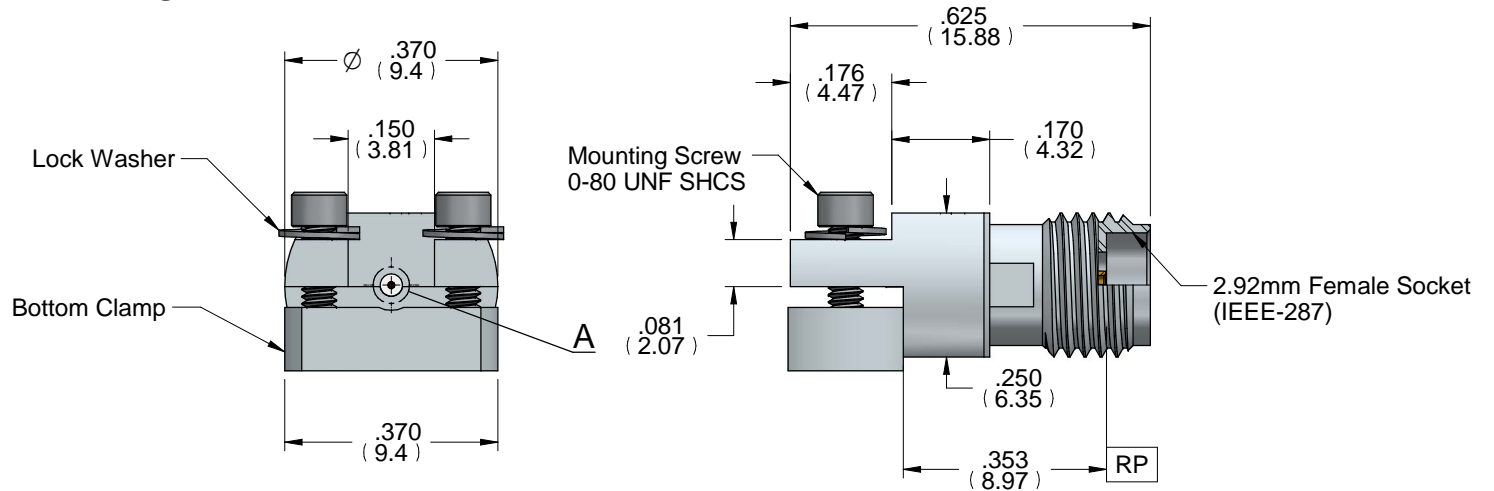
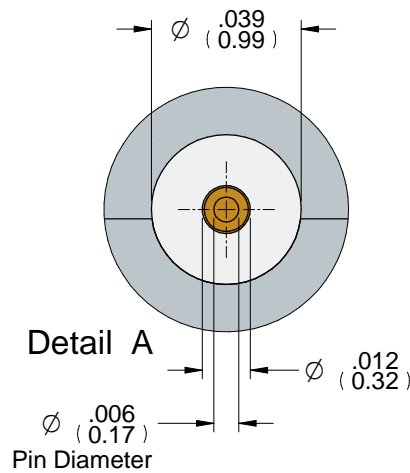




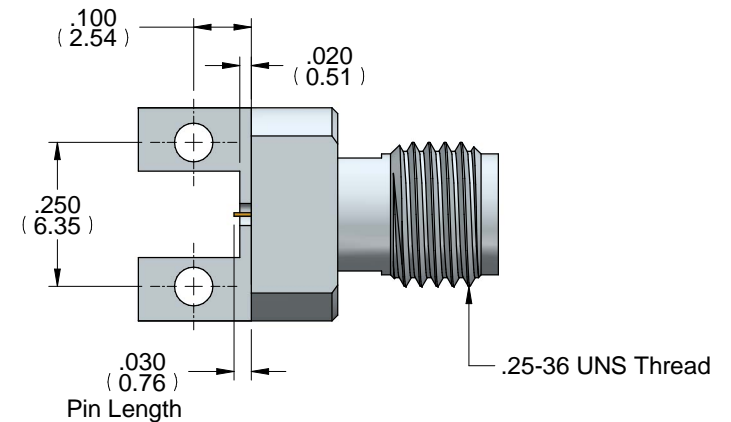
ELFT40-001 .370" Profile 2.92mm Edge Launch - Teflon



Board Mounting Detail



Detail A



Mounting Screws and Bottom Clamp
Not Shown for Clarity

Notes (Unless Otherwise Specified):

1. All dimensions are in inches.
2. All angles are in degrees.
3. Dimensions in [xxx] are in millimeters.

MATERIAL TABLE	
ITEM	MATERIAL
Housing	303 Stainless Steel, Steel Cres Alloy UNS S30300 per ASTM A582
Dielectric 1	Neoflon per ASTM D1430
Dielectric 2	PTFE Per ASTM D1710 Type 1, Grade 1, Class B
Center Conductor	BeCu Alloy UNS C17300 Cond. TH04 per ASTM B196, Gold Plated per MIL-DTL-45204

APPROVAL	DATE	DWG NO	REV
BR	12/18/19	ELFT40-001	A
FILE NAME: ELFT40-001 Outline.dft			SHEET 1 OF 1