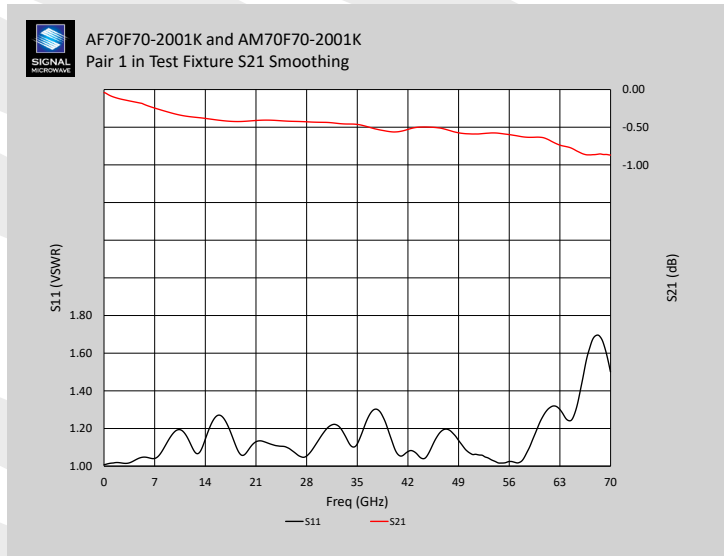


# Signal Microwave AF70F70 & AM70F70

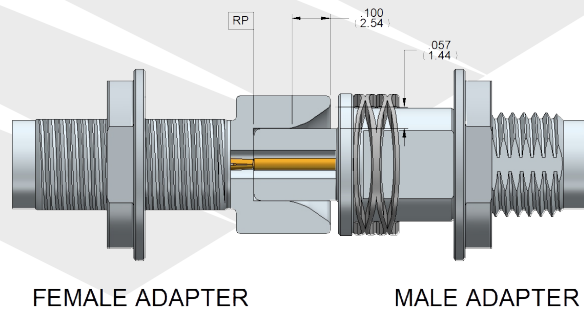
## 1.85 mm 70 GHz Blind Mate Interconnect System

This is a 70 GHz blind mate interconnect system utilizing the 1.85mm interface standard. The push-on interface is created by removing the threads and coupling nut of a 1.85mm interface pair. This allows for mating with very little force. The outer conductors engage and align before the center conductors engage. There is room in the cavity that the male adapter sits in for movement in the X-Y axis. When fully engaged, the housings compress the spring applying a force estimated at 20–40 pounds. There is an animation at [www.signalmicrowave.com/adapters/video](http://www.signalmicrowave.com/adapters/video) to show how the system works.

- A new 1.85mm interface blind mate connector system with 70 GHz bandwidth.
- Uses a float mount design for alignment and a spring to apply force.
- A better electrical performance alternative to current SMPM interface blind mate systems.



Typical test data through 70 GHz using AF70F70-2001K & AM70F70-2001K adapter pair in test fixture under compression.



**Signal Microwave, LLC**  
 Tempe, Arizona  
[info@signalmicrowave.com](mailto:info@signalmicrowave.com)  
[www.signalmicrowave.com](http://www.signalmicrowave.com)  
 (480) 322-4992