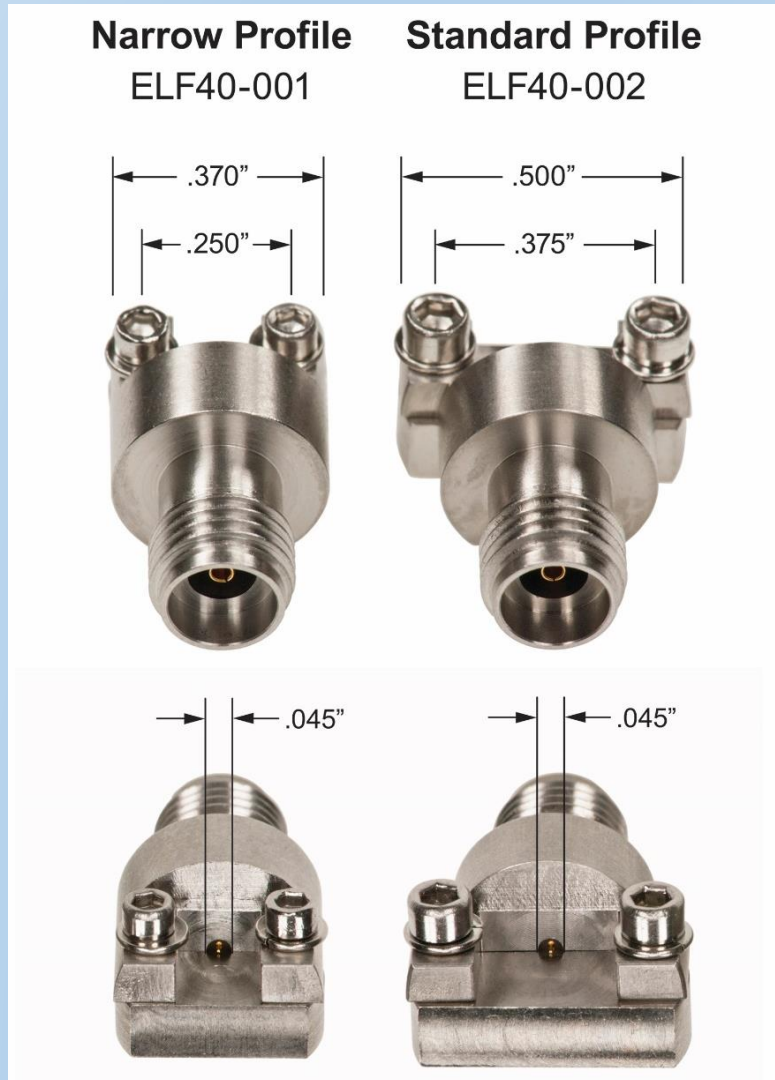


ELF40 and ELF67 Edge Launch Connectors



- 2.92 mm and 1.85mm Interfaces
- Only the Top Ground is connected to the board
- 40 and 70 GHz Bandwidth
- Board Design Support Available
- Edge Launch
- Test Boards Available
- No Soldering Required