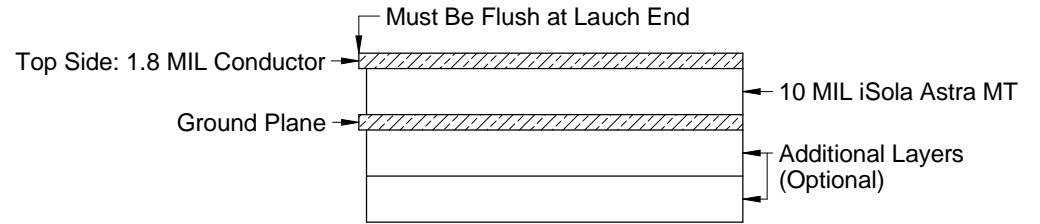
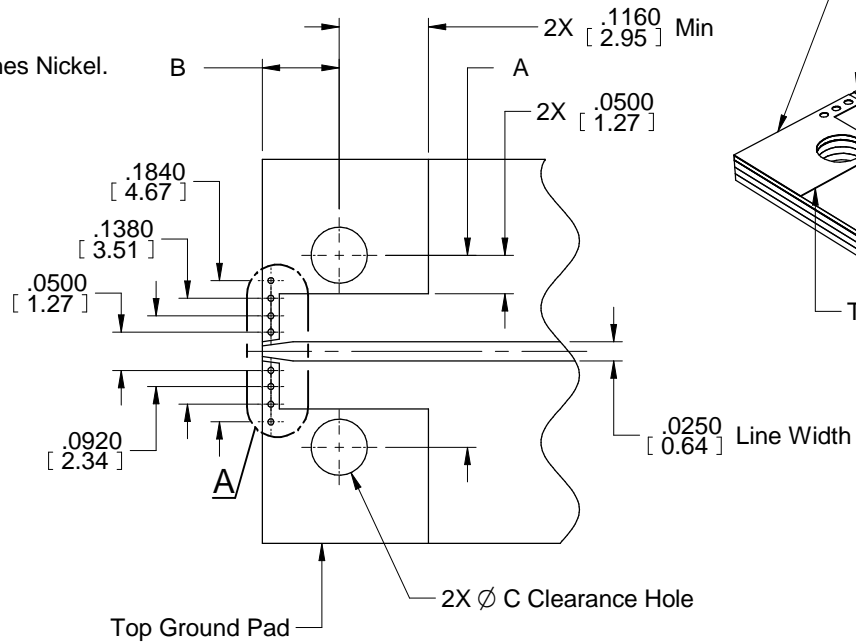
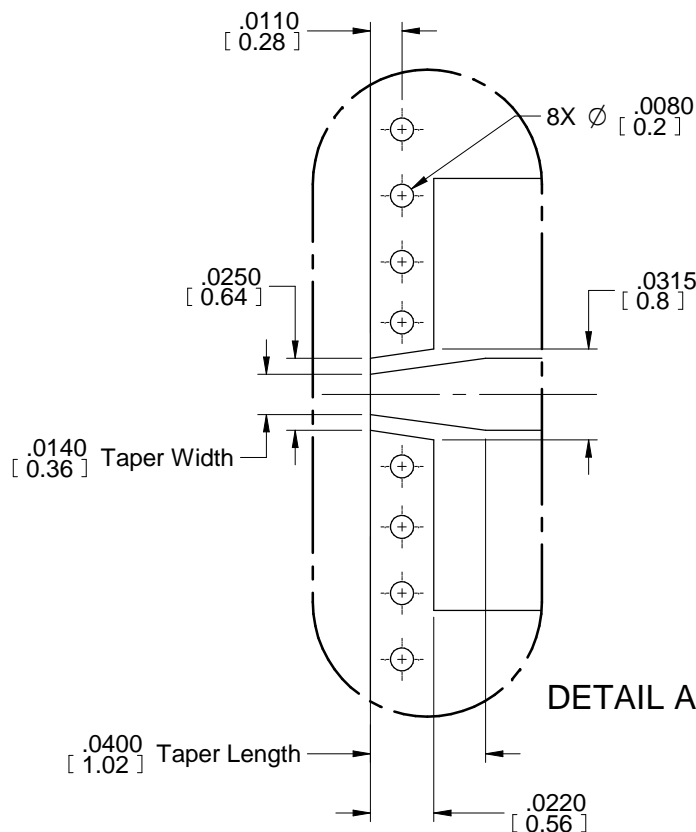
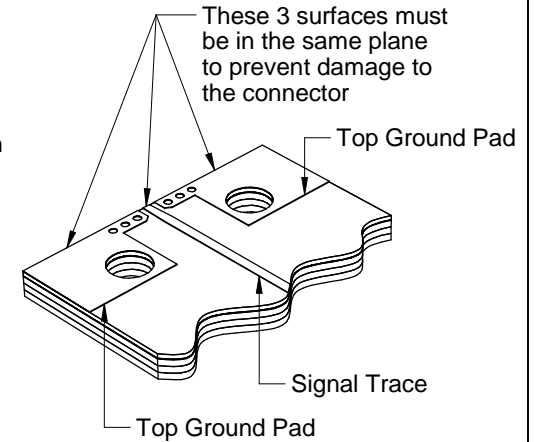


Notes (Unless Otherwise Specified):

1. All dimensions are in inches.
2. Dimensions in [xxx] are in millimeters.
3. Material: 10 MIL iSola Astra MT Dk = 3.02
4. Line Width = 25.0 MIL.
5. Launch Taper = 14 MIL. X 40 MIL.
6. Max Frequency = 70GHz
7. Hole Diameters are stated as finished hole size.
8. Plated through holes are to have a minimum of .001" copper.
9. No soldermask required.
10. Fabrication Tolerance: End product line widths and lands +/- .0005".
11. Copper Specification: 1/2 oz. CU ± .0002, 1.8 MILS Finished
12. Plating Specification: 3 to 10 microinches Gold over 100 microinches Nickel.



PCB Stackup



| Mounting Holes  |      |      |      |
|-----------------|------|------|------|
| Body Width      | A    | B    | Ø C  |
| .370 (Narrow)   | .250 | .100 | .073 |
| .500 (Standard) | .375 | .110 | .078 |

|                                                                          |                             |        |                                                        |     |
|--------------------------------------------------------------------------|-----------------------------|--------|--------------------------------------------------------|-----|
|                                                                          | MATERIAL                    |        | 036 Launch, Microstrip, 10MIL<br>iSola Astra MT, 70GHz |     |
|                                                                          | iSola Astra MT<br>Dk = 3.02 |        |                                                        |     |
| APPROVAL                                                                 | DATE                        | DWG NO | EL-MS-M-10-ASTRA-036                                   | REV |
| BR                                                                       | 02/02/16                    |        |                                                        | C   |
| FILE NAME: EL-MS-M-10-ASTRA-036, 10mil iSola Astra Edge Launch 70GHz.dft |                             |        | SHEET 1 OF 1                                           |     |