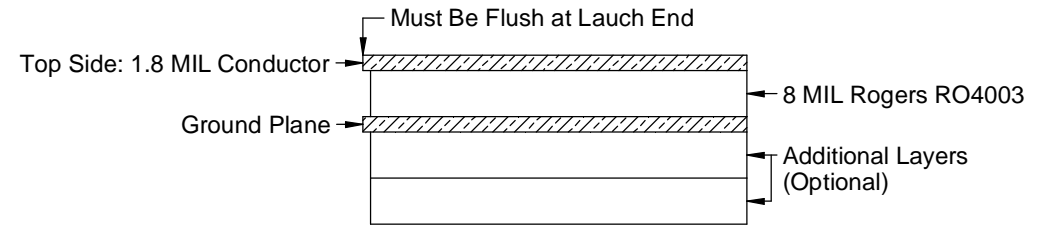
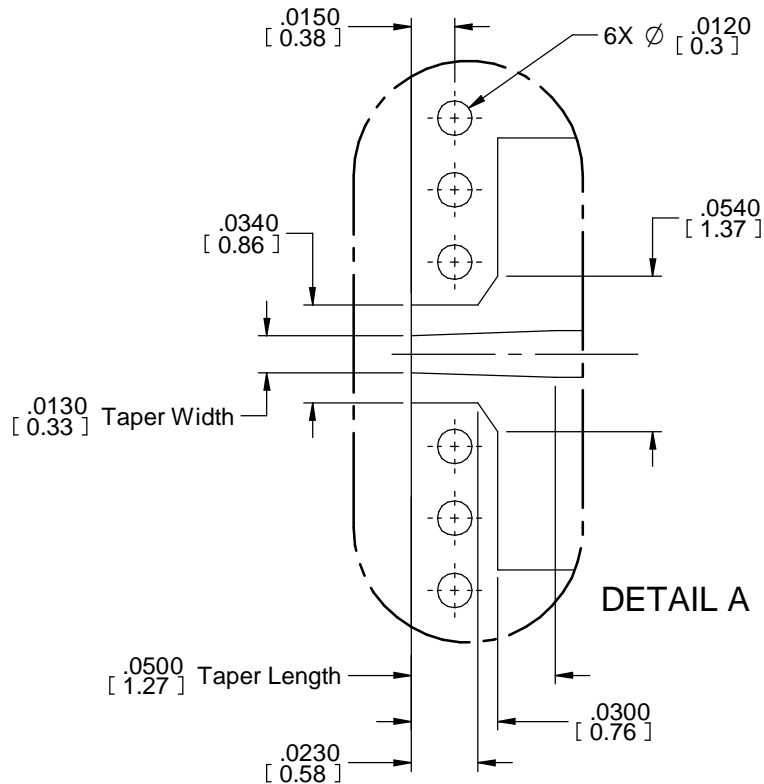
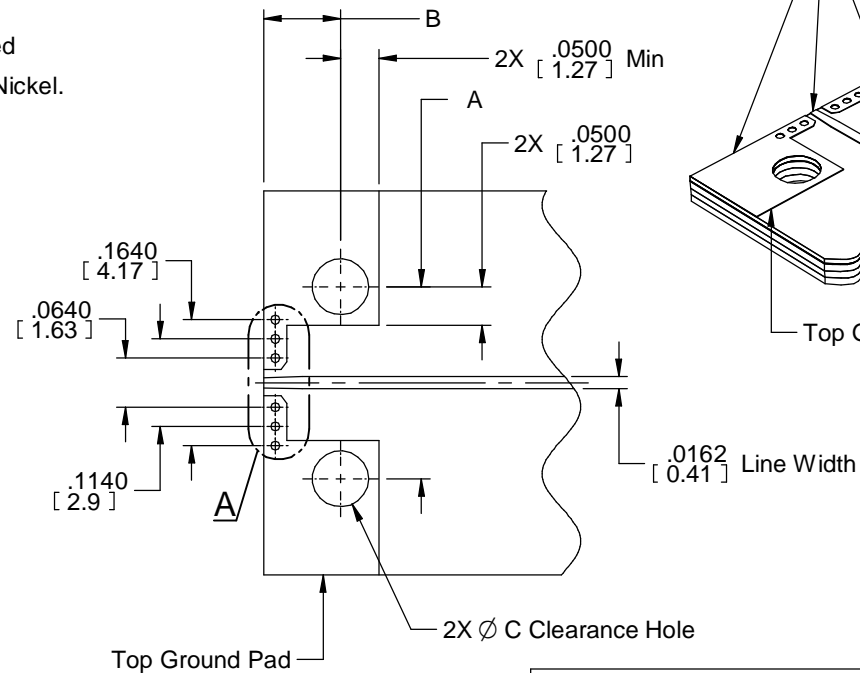
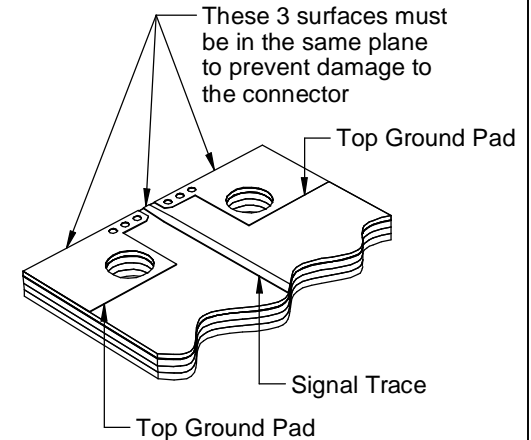


Notes (Unless Otherwise Specified):

1. All dimensions are in inches.
2. Dimensions in [xxx] are in millimeters.
3. Material: 8 MIL Rogers RO4003 Dk = 3.55
4. Line Width = 16.2 MIL.
5. Launch Taper = 13 MIL. X 50 MIL.
6. Max Frequency = 40GHz
7. Hole Diameters are stated as finished hole size.
8. Plated through holes are to have a minimum of .001" copper.
9. No soldermask.
10. Fabrication Tolerance: End product line widths and lands +/- .0005".
11. Copper Specification Signal Size: 1/2 oz. Cu ± .0002, 1.8 MILS Finished
12. Plating Specification: 3 to 10 microinches Gold over 100 microinches Nickel.



PCB Stackup



Mounting Holes

Body Width	A	B	Ø C
.370 (Narrow)	.250	.100	.073
.500 (Standard)	.375	.110	.078



MATERIAL		007 Launch, Microstrip, 8MIL Rogers RO4003, 40GHz	
Rogers RO4003 Dk = 3.55			
APPROVAL	DATE	DWG NO	REV
BR	10/07/15	EL-MS-M-08-RO4003-007	B
FILE NAME: EL-MS-M-08-RO4003-007_8mil RO4003 Edge Launch 40GHz.dtl		SHEET 1 OF 1	