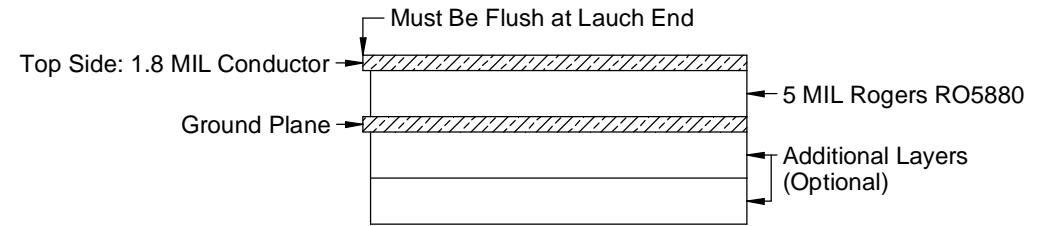
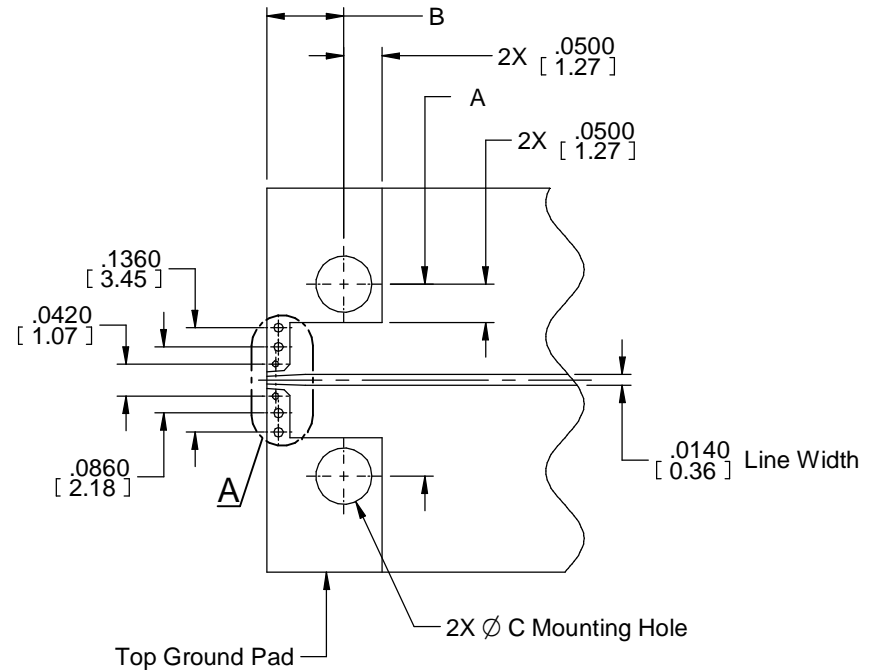
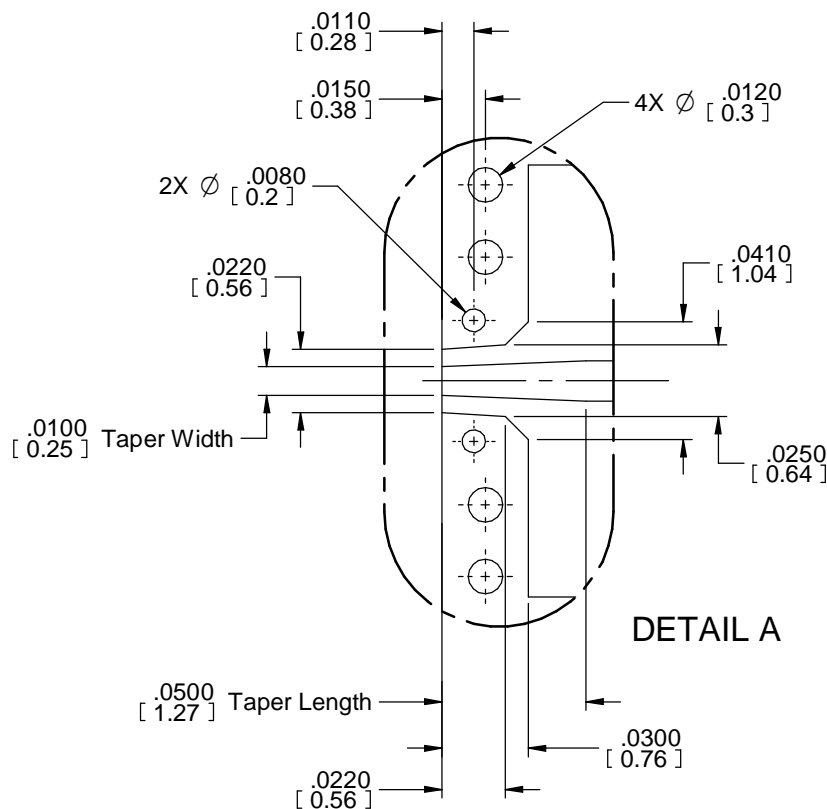


Notes (Unless Otherwise Specified):


1. All dimensions are in inches.
2. Dimensions in [xxx] are in millimeters.
3. Material: 5 MIL Rogers RO5880 Dk = 2.20
4. Mounting holes are not plated.
5. Line Width = 14.0 MIL.
6. Launch Taper = 10 MIL. X 50 MIL.
7. Max Frequency = 70GHz
8. Hole Diameters are stated as finished hole size.
9. Plated through holes are to have a minimum of .001" copper.
10. No soldermask required.
11. Fabrication Tolerance: End product line widths and lands +/- .0005".
12. Copper Specification Signal Size: 1/2 oz. CU ± .0002, 1.8 MILS Finished
13. Plating Specification: 3 to 10 microinches Gold over 100 microinches Nickel.



PCB Stackup



Mounting Holes			
Body Width	A	B	Ø C
.370 (Narrow)	.250	.100	.073
.500 (Standard)	.375	.110	.078

 SIGNAL MICROWAVE	MATERIAL		031 Launch, Microstrip, 5MIL Rogers RO5880, 70GHz	
	ROGERS RO5880 Dk = 2.20			
APPROVAL	DATE	DWG NO	EL-MS-M-05-RO5880-031	REV
<i>BR</i>	05/26/15			A
FILE NAME: EL-MS-M-05-RO5880-031, 5mil RO5880 Edge Launch 70GHz.dft			SHEET 1 OF 1	