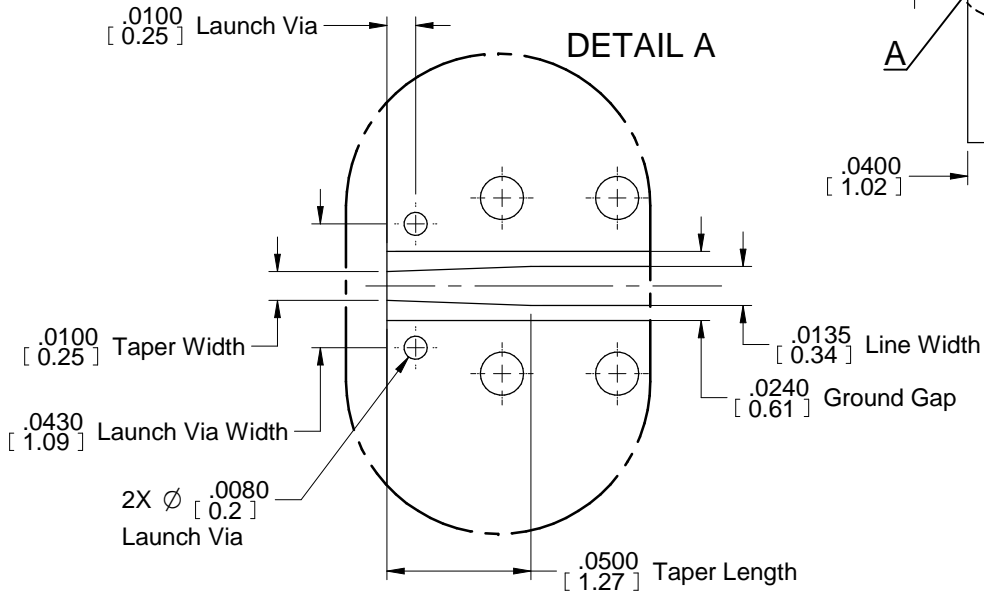
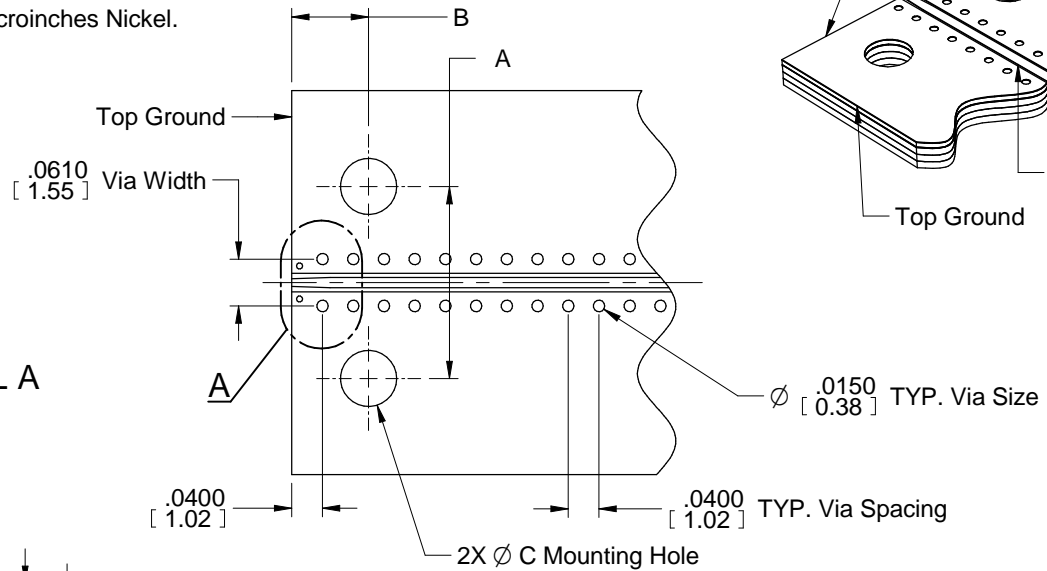
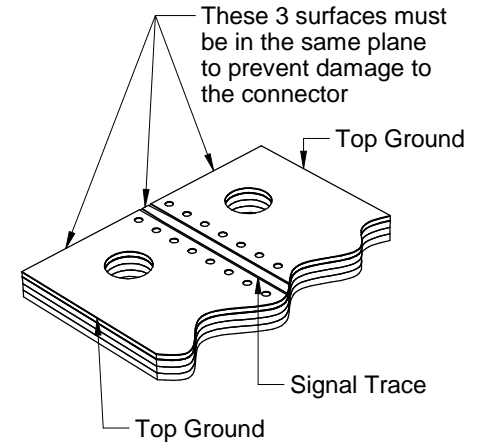
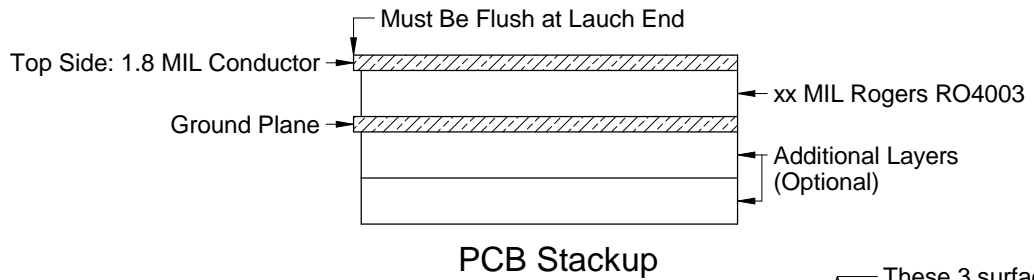



Notes (Unless Otherwise Specified):

1. All dimensions are in inches.
2. Dimensions in [xxx] are in millimeters.
3. Material: 8 MIL Rogers RO4003 Dk = 3.55
4. Line Width = 13.5 MIL.
5. Launch Taper = 10 MIL. X 50 MIL.
6. Max Frequency = 70GHz
7. Hole Diameters are stated as finished hole size.
8. Plated through holes are to have a minimum of .001" copper.
9. No soldermask required.
10. Fabrication Tolerance: End product line widths and lands +/- .0005".
11. Copper Specification: 1/2 oz. CU ± .0002, 1.8 MILS Finished
12. Plating Specification: 3 to 10 microinches Gold over 100 microinches Nickel.



| Mounting Holes  |      |      |      |
|-----------------|------|------|------|
| Body Width      | A    | B    | Ø C  |
| .370 (Narrow)   | .250 | .100 | .073 |
| .500 (Standard) | .375 | .110 | .078 |

|                                                                                                                     |                            |                       |                                                                    |              |
|---------------------------------------------------------------------------------------------------------------------|----------------------------|-----------------------|--------------------------------------------------------------------|--------------|
| <br><b>SIGNAL</b><br>MICROWAVE | MATERIAL                   |                       | 021 Launch, Grounded<br>Coplaner Wave Guide, 8mil<br>RO4003, 70GHz |              |
|                                                                                                                     | Rogers RO4003<br>Dk = 3.55 |                       |                                                                    |              |
| APPROVAL                                                                                                            | DATE                       | DWG NO                | REV                                                                |              |
| <i>BR</i>                                                                                                           | 02/02/16                   | EL-GC-M-08-RO4003-021 | B                                                                  |              |
| FILE NAME: EL-GC-M-08-RO4003-021, 8mil RO4003 Edge Launch 70GHz.dft                                                 |                            |                       |                                                                    | SHEET 1 OF 1 |