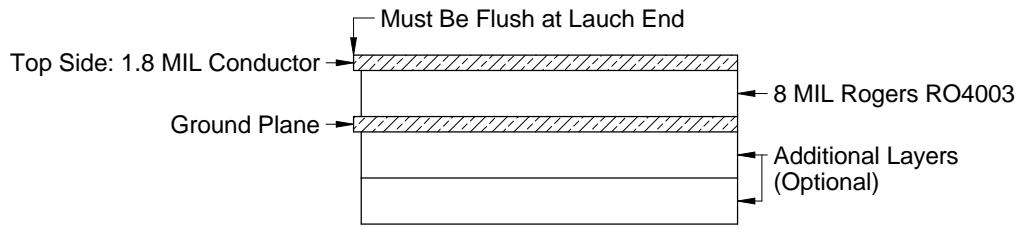
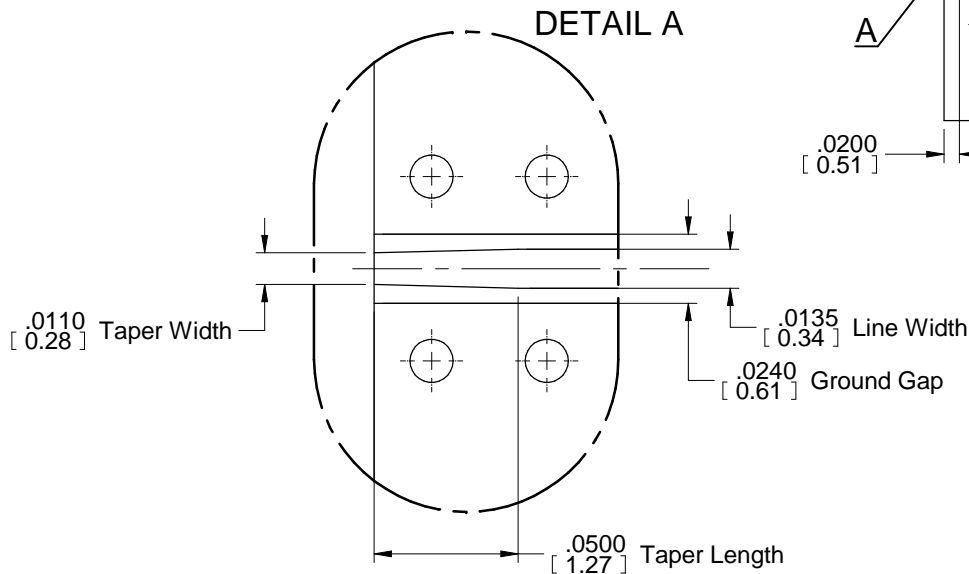
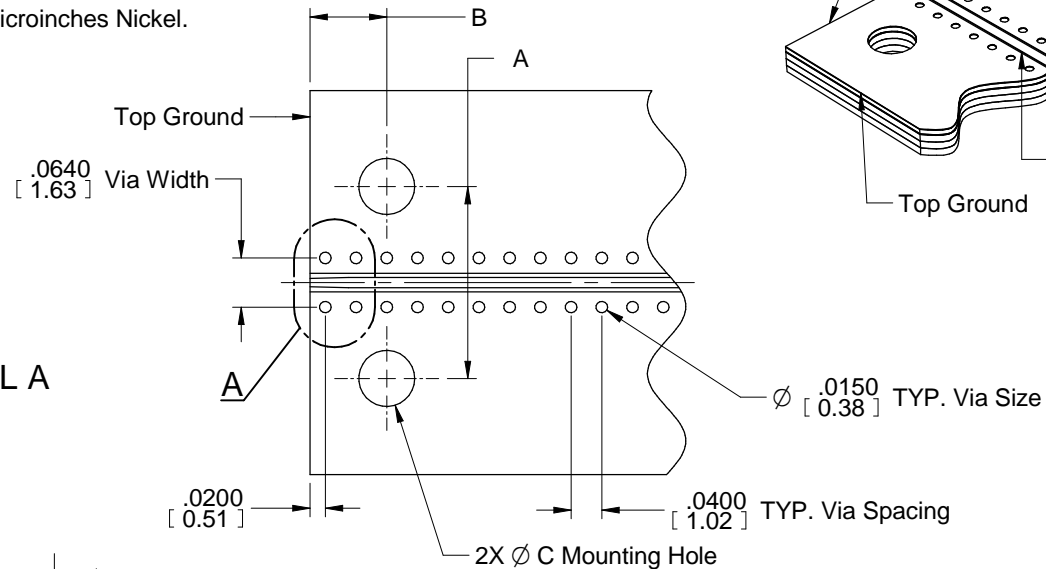
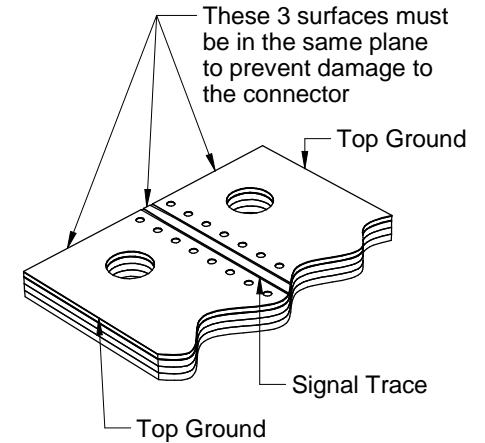


Notes (Unless Otherwise Specified):


1. All dimensions are in inches.
2. Dimensions in [xxx] are in millimeters.
3. Material: 8 MIL Rogers RO4003 Dk =3.55
4. Line Width =13.5 MIL.
5. Launch Taper = 11 MIL. X 50 MIL.
6. Max Frequency = 40GHz
7. Hole Diameters are stated as finished hole size.
8. Plated through holes are to have a minimum of .001" copper.
9. No soldermask required.
10. Fabrication Tolerance: End product line widths and lands +/- .0005".
11. Copper Specification: 1/2 oz. CU ± .0002, 1.8 MILS Finished
12. Plating Specification: 3 to 10 microinches Gold over 100 microinches Nickel.



PCB Stackup



Mounting Holes			
Body Width	A	B	Ø C
.370 (Narrow)	.250	.100	.073
.500 (Standard)	.375	.110	.078

 SIGNAL MICROWAVE	MATERIAL		008 Launch, Grounded Coplaner Wave Guide, 8mil Rogers RO4003, 40GHz	
	Rogers RO4003 Dk = 3.55			
APPROVAL	DATE	DWG NO	REV	
<i>BR</i>	02/02/16	EL-GC-M-08-RO4003-008	C	
FILE NAME: EL-GC-M-08-RO4003-008, 8mil RO4003 Edge Launch 40GHz.dft			SHEET 1 OF 1	