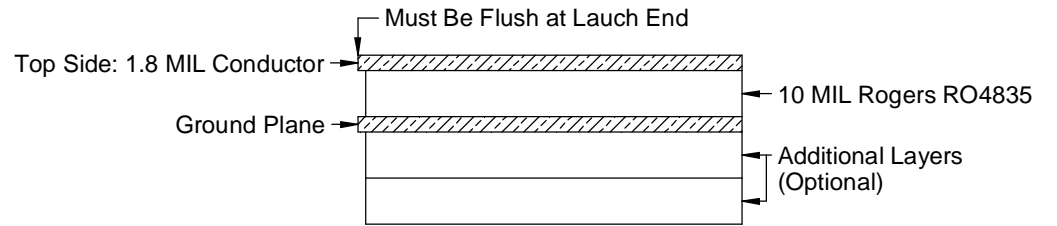
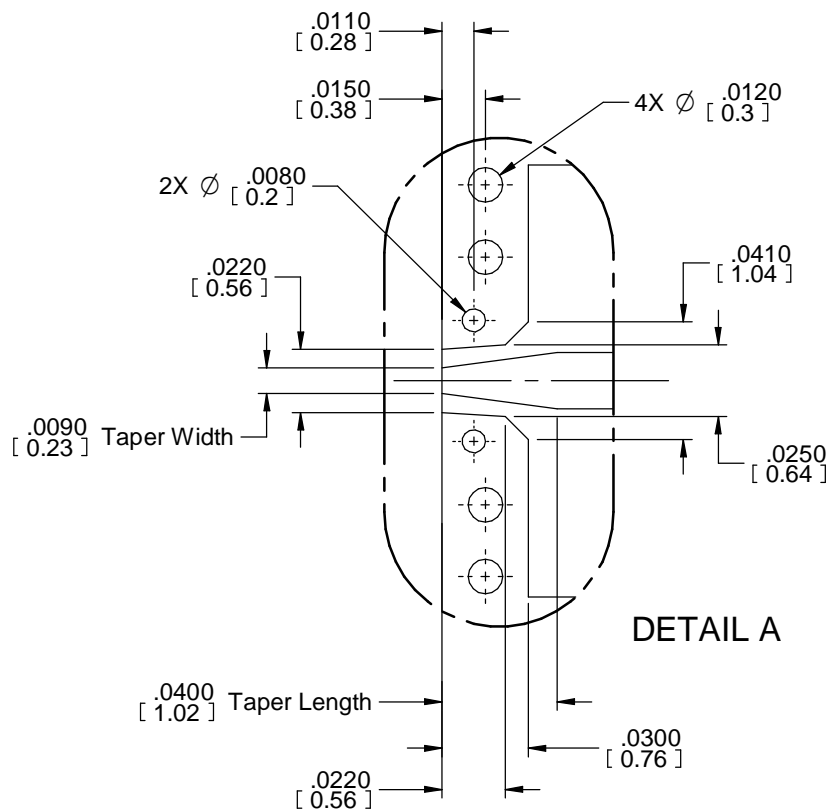
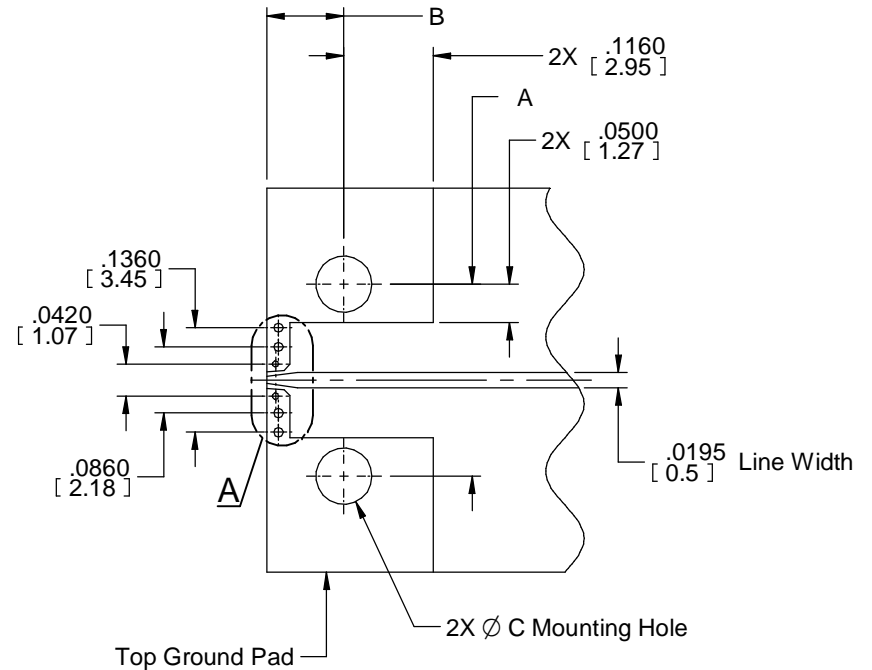


Notes (Unless Otherwise Specified):


1. All dimensions are in inches.
2. Dimensions in [xxx] are in millimeters.
3. Material: 10 MIL Rogers RO4835 Dk = 3.66
4. Mounting holes are not plated.
5. Line Width = 19.5 MIL.
6. Launch Taper = 9 MIL. X 40 MIL.
7. Max Frequency = 70GHz
8. Hole Diameters are stated as finished hole size.
9. Plated through holes are to have a minimum of .001" copper.
10. No soldermask required.
11. Fabrication Tolerance: End product line widths and lands +/- .0005".
12. Copper Specification: 1/2 oz. CU ± .0002, 1.8 MILS Finished
13. Plating Specification: 3 to 10 microinches Gold over 100 microinches Nickel.



PCB Stackup



Mounting Holes			
Body Width	A	B	Ø C
.370 (Narrow)	.250	.100	.073
.500 (Standard)	.375	.110	.078

 SIGNAL MICROWAVE	MATERIAL		032 Launch, Microstrip, 10MIL Rogers RO4835, 70GHz	
	ROGERS RO4835 Dk = 3.66			
APPROVAL	DATE	DWG NO	EL-MS-M-05-RO4835-032	REV
<i>BR</i>	05/26/15			A
FILE NAME: EL-MS-M-10-RO4835-032, 10mil RO4835 Edge Launch 70GHz.dft			SHEET 1 OF 1	