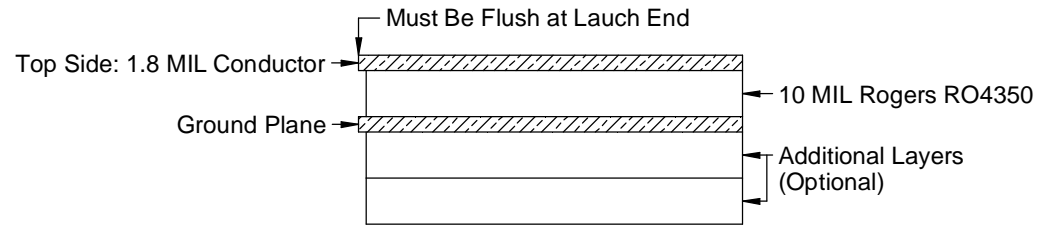
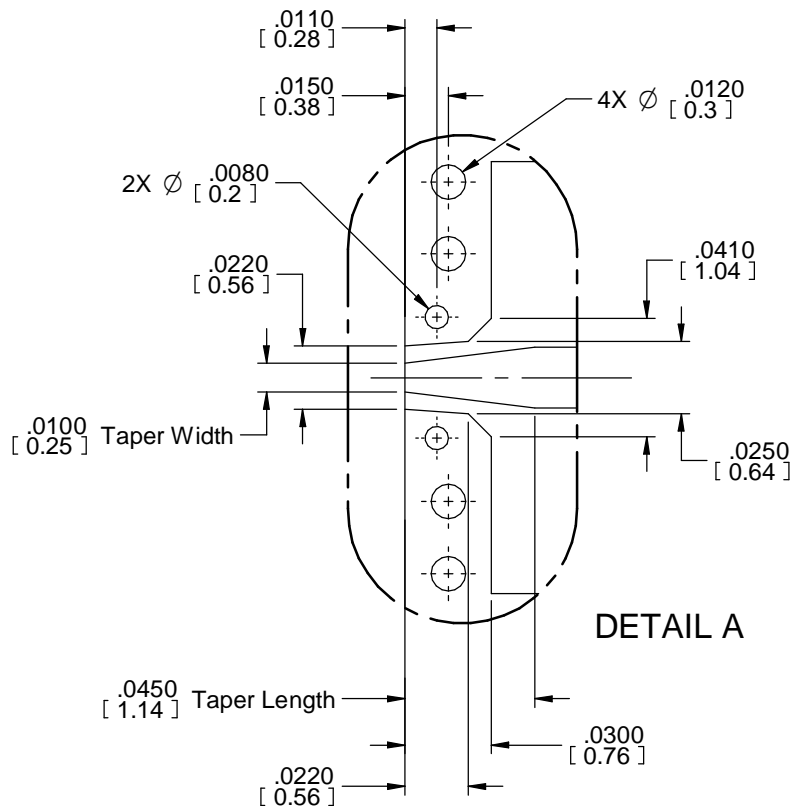
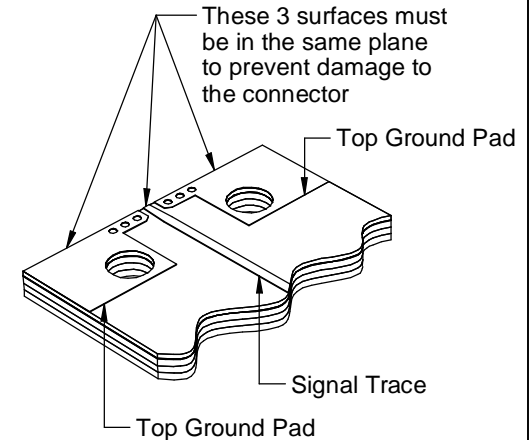


Notes (Unless Otherwise Specified):

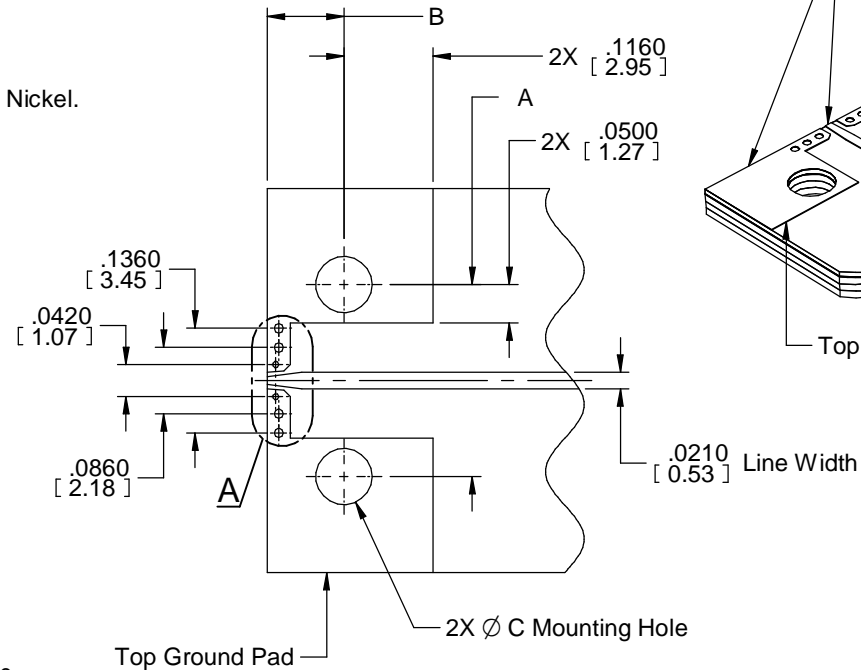
1. All dimensions are in inches.
2. Dimensions in [xxx] are in millimeters.
3. Material: 10 MIL Rogers RO4350 Dk = 3.66
4. Line Width = 21.0 MIL.
5. Launch Taper = 10 MIL. X 45 MIL.
6. Max Frequency = 70GHz
7. Hole Diameters are stated as finished hole size.
8. Plated through holes are to have a minimum of .001" copper.
9. No soldermask.
10. Fabrication Tolerance: End product line widths and lands +/- .0005".
11. Copper Specification: 1/2 oz. Cu ± .0002, 1.8 MILS Finished
12. Plating Specification: 3 to 10 microinches Gold over 100 microinches Nickel.



PCB Stackup



DETAIL A



Mounting Holes			
Body Width	A	B	Ø C
.370 (Narrow)	.250	.100	.073
.500 (Standard)	.375	.110	.078



MATERIAL		033 Launch, Microstrip, 10MIL Rogers RO4350, 70GHz	
ROGERS RO4350 Dk = 3.66			
APPROVAL	DATE	DWG NO	REV
BR	10/07/15	EL-MS-M-05-RO4350-033	B
FILE NAME: EL-MS-M-10-RO4350-033, 10mil RO4350 Edge Launch 70GHz.dft			SHEET 1 OF 1