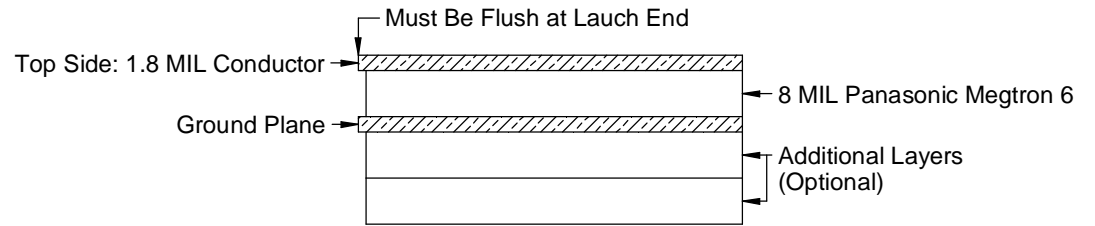
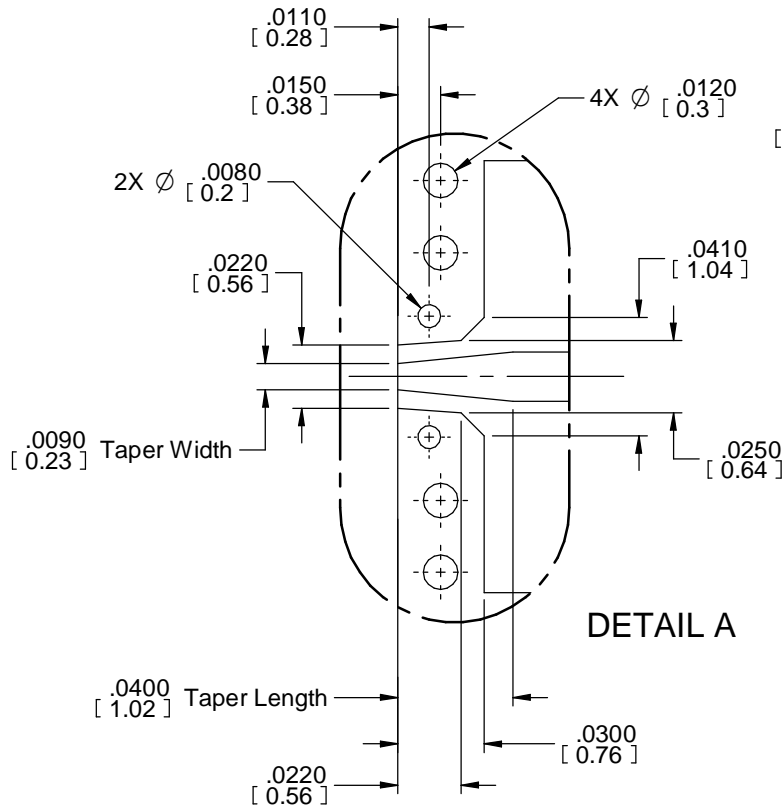
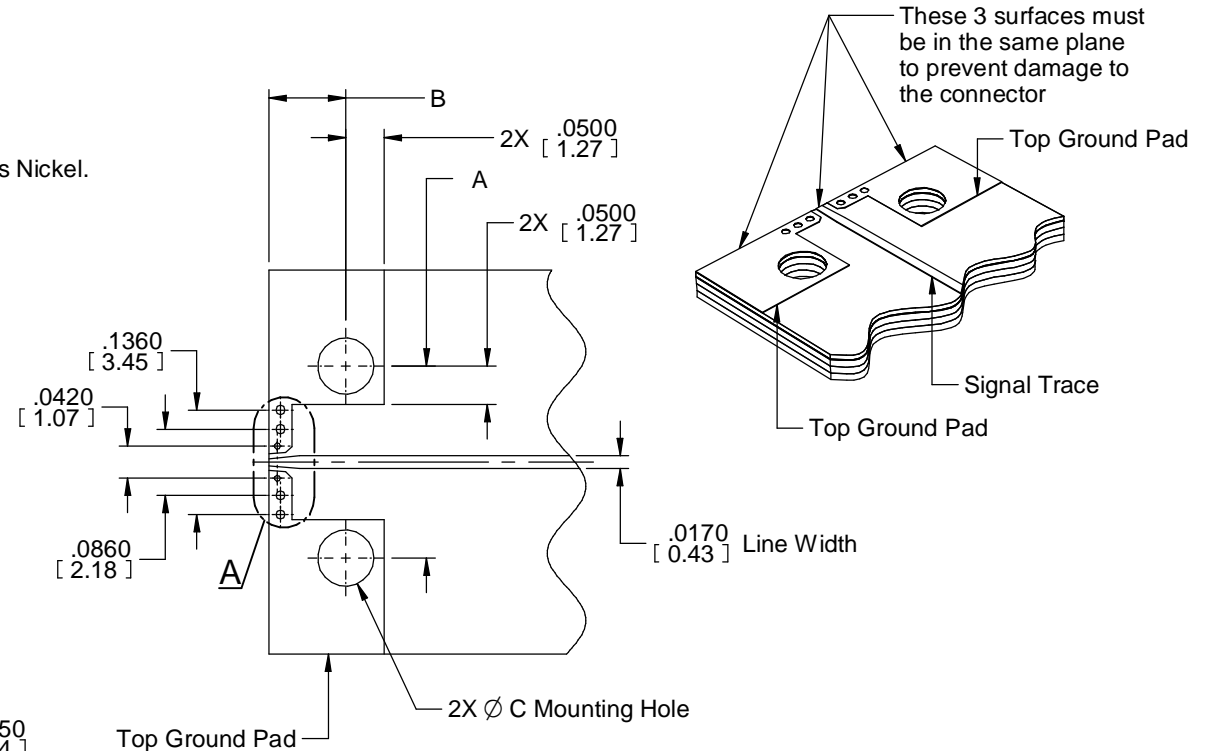


Notes (Unless Otherwise Specified):


1. All dimensions are in inches.
2. Dimensions in [xxx] are in millimeters.
3. Material: 8 MIL Panasonic Megtron 6 Dk = 3.6
4. Line Width = 17.0 MIL.
5. Launch Taper = 9 MIL. X 40 MIL.
6. Max Frequency = 70GHz
7. Hole Diameters are stated as finished hole size.
8. Plated through holes are to have a minimum of .001" copper.
9. No soldermask.
10. Fabrication Tolerance: End product line widths and lands +/- .0005".
11. Copper Specification: 1/2 oz. Cu ± .0002, 1.8 MILS Finished
12. Plating Specification: 3 to 10 microinches Gold over 100 microinches Nickel.



PCB Stackup



Mounting Holes			
Body Width	A	B	Ø C
.370 (Narrow)	.250	.100	.073
.500 (Standard)	.375	.110	.078

 <b>SIGNAL</b> <b>MICROWAVE</b>	MATERIAL		034 Launch, Microstrip, 8MIL Megtron 6, 70GHz	
	Panasonic Megtron 6 DK = 3.6			
APPROVAL	DATE	DWG NO	EL-MS-M-08-MEGTRON6-034	
<i>BR</i>	10/05/15		REV B	
FILE NAME: EL-MS-M-08-MEGTRON6-034_8milMegtron 6 Edge Launch 70GHz.dft			SHEET 1 OF 1	