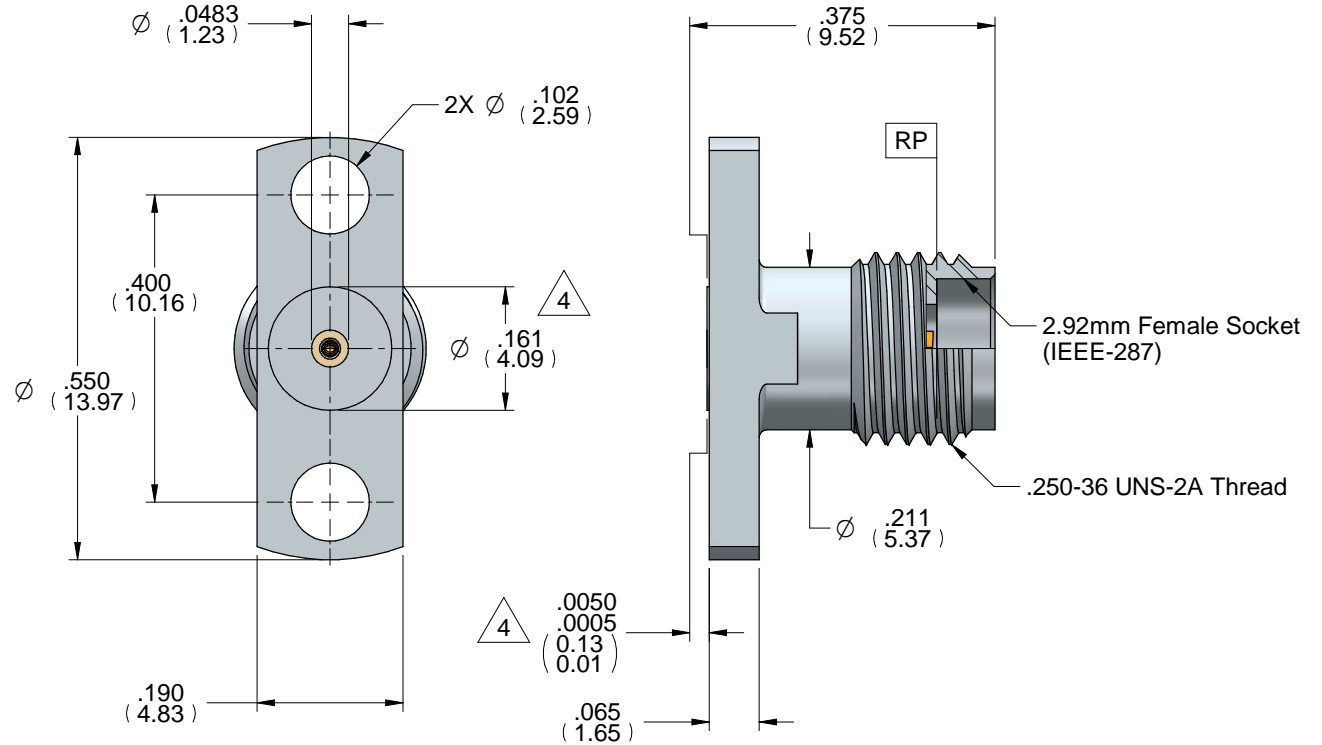
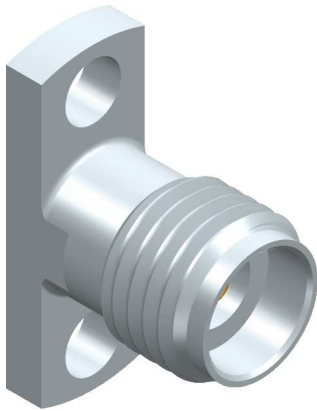




# FRF40-002

## 2.92mm, .550 2 Hole Flange, 12mil



Notes (Unless Otherwise Specified):

1. All dimensions are in inches.
2. All angles are in degrees.
3. Dimensions in [xxx] are in millimeters.

4. 360° Metal Grounding Ring

### MATERIAL TABLE

ITEM	MATERIAL
Housing	303 Stainless Steel, Steel Cres Alloy UNS S30300 per ASTM A582
Dielectric	Neoflon per ASTM D1430
Center Conductor	BeCu Alloy UNS C17300 Cond. TH04 per ASTM B196, Gold Plated per MIL-DTL-45204

APPROVAL	DATE	DWG NO	REV
BR	04/20/16	FRF40-002	C

FILE NAME: FRF40-002 Outline.dft

SHEET 1 OF 1