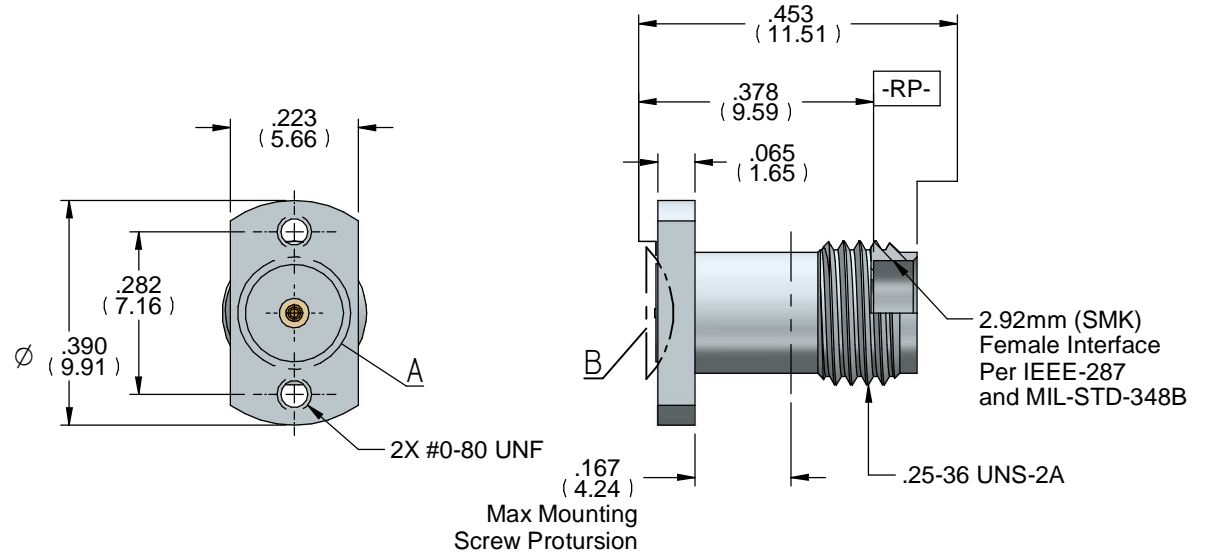
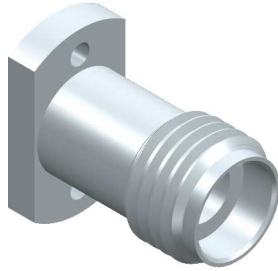


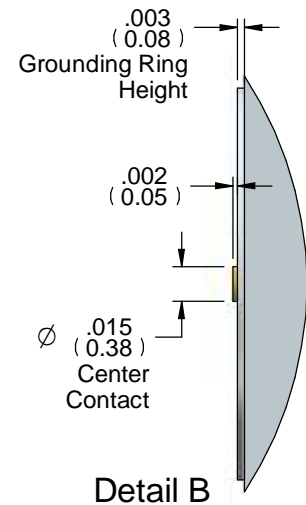
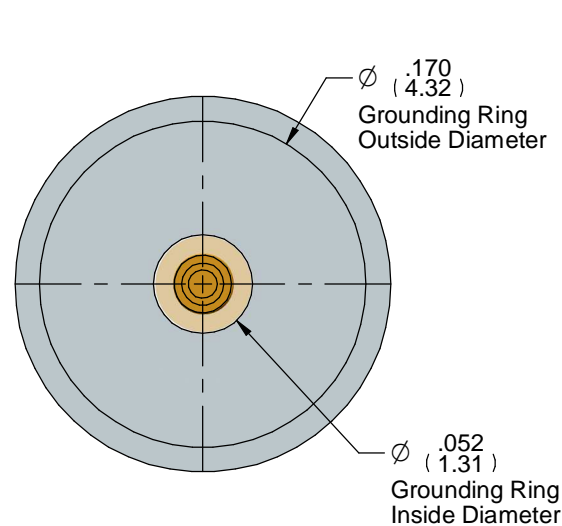


# VLF40-002

## 2.92mm Vertical Launch, 40GHz



MATERIAL TABLE	
ITEM	MATERIAL
Housing	303 Stainless Steel
Dielectric	Neoflon
Center Conductor	Gold Plated BeCu



Notes (Unless Otherwise Specified):

1. All Dimensions are in Inches.
2. All Angles are in Degrees.
3. All Dimensions in (XXX) are in Millimeters.

APPROVAL	DATE	DWG NO	REV
<i>BR</i>	03/25/15	VLF40-002	B
FILE NAME: VLF40-002 Outline.dft			SHEET 1 OF 1